



Model 9210 Digital Display

Description

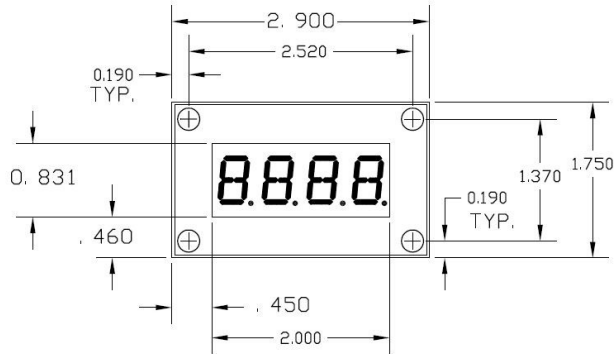
The 9210 is a 4 characters digital display that receives RS-422 digital messages and scrolls the message across the 4 characters display. It is addressable allowing connection of various units in a shared communication bus.

Features

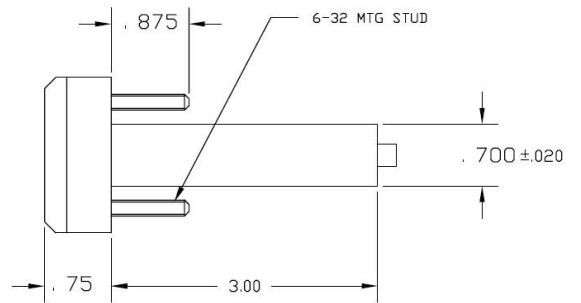
- Four characters 14 segments LEDs
- Small: 2.90" L x 1.75" W x 4.00" D
- Lightweight: 0.875 lbs
- Hardware addressable (16 possible addresses) by onboard dip switch
- RS-422 receiver
- Power requirement: 28 vDC/200 dcmA
- Baud rate: 4,880/9,000 switch selectable



FRONT VIEW



SIDE VIEW



PANEL CUT OUT

